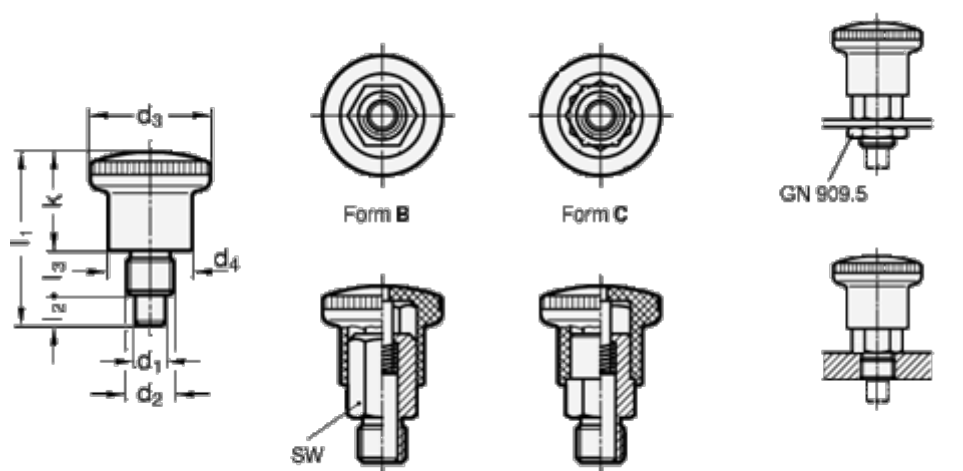


Article number: 2082268M16B

Description: E+G Mini indexing plunger
with/without rest position, GN 822.6-8-M16-B

Measures



d1 = 8

d2 = M16

d3 = 33

d4 = 23

k = 25.5

l1 = 47.5

l2 = 10

l3 = 12

Spring load initial N = 11